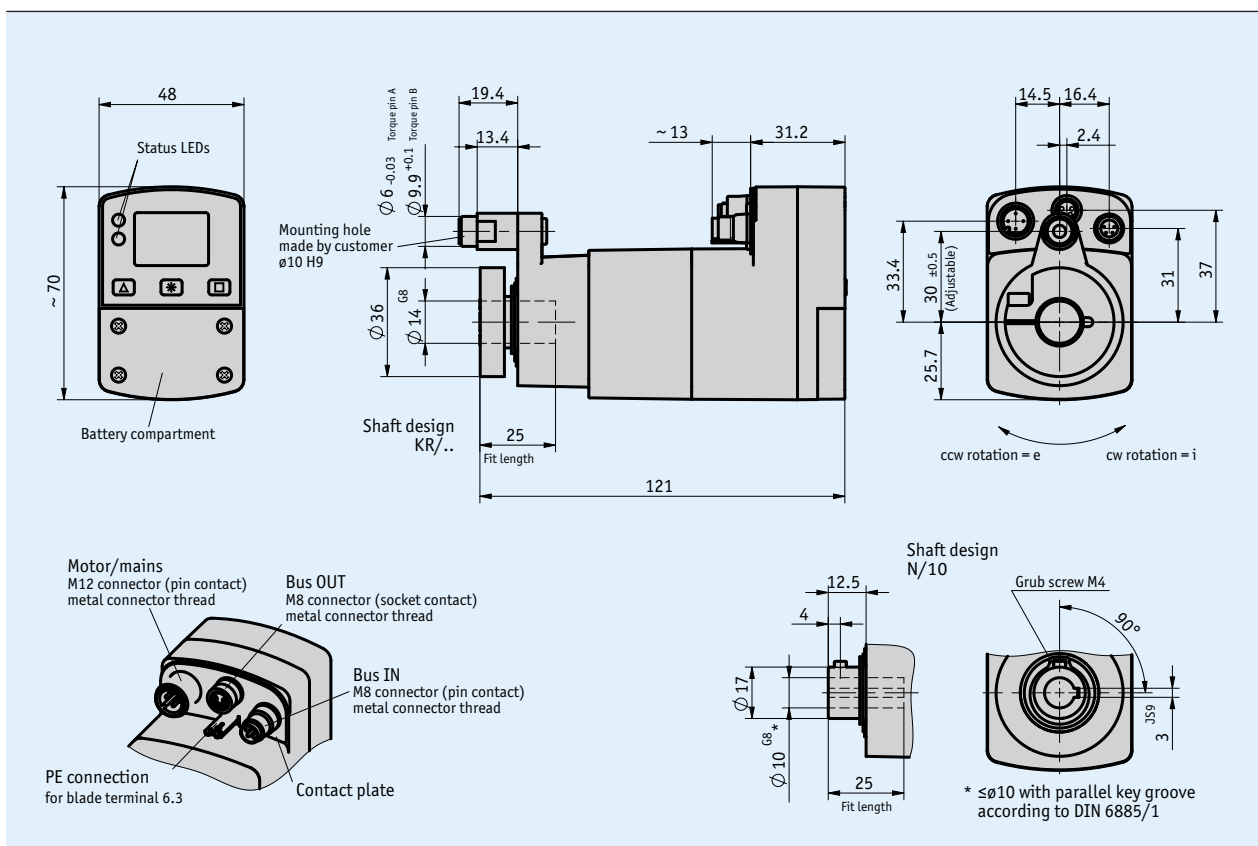


Profile

- easy mounting, no additional coupling needed
- stainless steel 14 mm hollow shaft, glass fibre reinforced casing
- brushless 24 VDC motor with long service life
- solid absolute sensor, magnetic sensing technology
- 2-line LCD for target and position value and operating keys
- 2 LEDs for user guidance
- integrated RS485 or CANopen interface
- Integrated positioning controller
- M8 + M12 component mounting technology



Mechanical data

Feature	Technical data	Additional information
Shaft	stainless steel	
Housing	glass-fiber reinforced plastic	
Clamping ring	stainless steel	
Torque pin	stainless steel	form A
	aluminum, hard anodic coating	form B
Nominal torque/rated speed	3 Nm at 75 rpm ±10 %	i = 66
	5 Nm at 50 rpm ±10 %	i = 98
Weight	~0.45 kg	

Electrical data

Feature	Technical data	Additional information
Operating voltage	24 V DC $\pm 10\%$	reverse polarity protected, output stage
	24 V DC $\pm 10\%$	reverse polarity protected, control
Power input	~58 W	output stage
Battery	CR2477N, 3 V lithium, 950 mAh	
Battery service life	~5 year(s)	depending on ambient conditions
Rated current	2.2 A $\pm 10\%$	at max. admissible torque (output stage)
	<60 mA $\pm 10\%$	at 24 V DC (control)
Display/display range	5-digit LCD 7-segment, ~7 mm height	decimal points, 2 rows, special characters
Special character	battery, direction arrows	
Status display	two LEDs	
Keys	parameterizing, resetting, inching, setpoint definition	
Bus connection	RS485, CANopen	no galvanic isolation
Type of connection	1x M12 plug connector (A-coded)	4-pole, 1x pin
	2x M8 plug connectors	4-pole, 1x socket, 1x pin
	grounding via flat connector 6.3 mm	

System data

Feature	Technical data	Additional information
Resolution	720 increments/revolution shaft	
Repeat accuracy	± 1 increment(s)	
Travel range	± 1980 revolution(s)	i = 66
	± 1300 revolution(s)	i = 98

Ambient conditions

Feature	Technical data	Additional information
Ambient temperature	0 ... 45 °C	
Storage temperature	-20 ... 60 °C	
Relative humidity		condensation inadmissible
EMC	EN 61800-3, second environment	interference resistance / immission
	EN 61800-3, C3	emitted interference / emission
Protection category	IP54, IP65	EN 60529, only with mating connector
Shock resistance	500 m/s ² , 8 ms	EN 60068-2-27
Vibration resistance	<100 m/s ² , 5 ... 150 Hz	EN 60068-2-6

Pin assignment

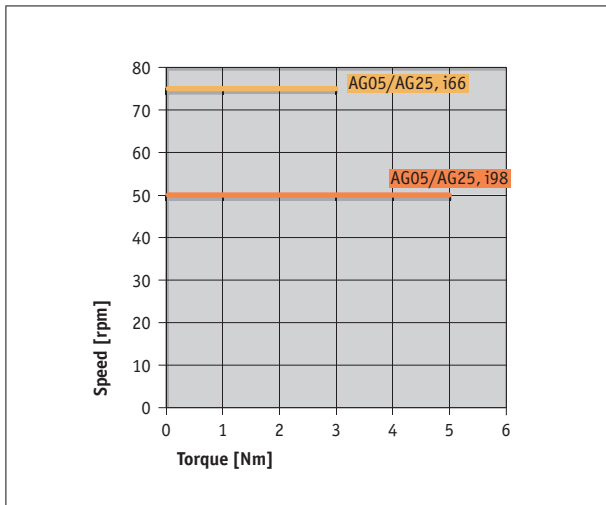
■ Power/electronics (A-coded)

Signal	PIN
+24 V Power/output stage	1
+24 V Control	2
GND Power/output stage	3
GND Control	4

■ Interfaces M8

Signal	PIN
TxRx-/DÜB	1
TxRx+/DÜA	2
N.C.	3
GND	4

Performance curve



Order

Ordering table

Feature	Ordering data	Specification	Additional information
Gear ratio	66	i = 66	
	98	i = 98	
Protection category	IP54	IP54	
	IP65	IP65 on request	
Shaft design/diameter	KR/14	clamping ring ø14 mm	
	N/10	keyway, ø10 mm	
Torque pin	A	bolt, ø6 mm	
	B	bolt, ø10 mm	
Interface/protocol	S3/09	RS485 / SIKONETZ5	
	CAN	CANopen	

Order key

AG05 Fieldbus - - 50W - - - - ABM -

Scope of delivery: AG05 Fieldbus, Mounting instructions, Documentation on CD

Accessories:

Cable extension KV04S1

www.siko-global.com

Cable extension KV04S2

www.siko-global.com

Easy Touch Control ETC5000

www.siko-global.com

Programming software ProTool DL

www.siko-global.com

Mating Connector Overview

www.siko-global.com

Mating connector, Fieldbus IN, 4-pole, socket

Order key 84209

Mating connector, Fieldbus OUT, 4-pole, pin

Order key 84210

Mating connector, voltage supply, 4-pole, angle socket

Order key 83091

bus terminating connector, Fieldbus, 4-pole, pin

Order key BAS-0005