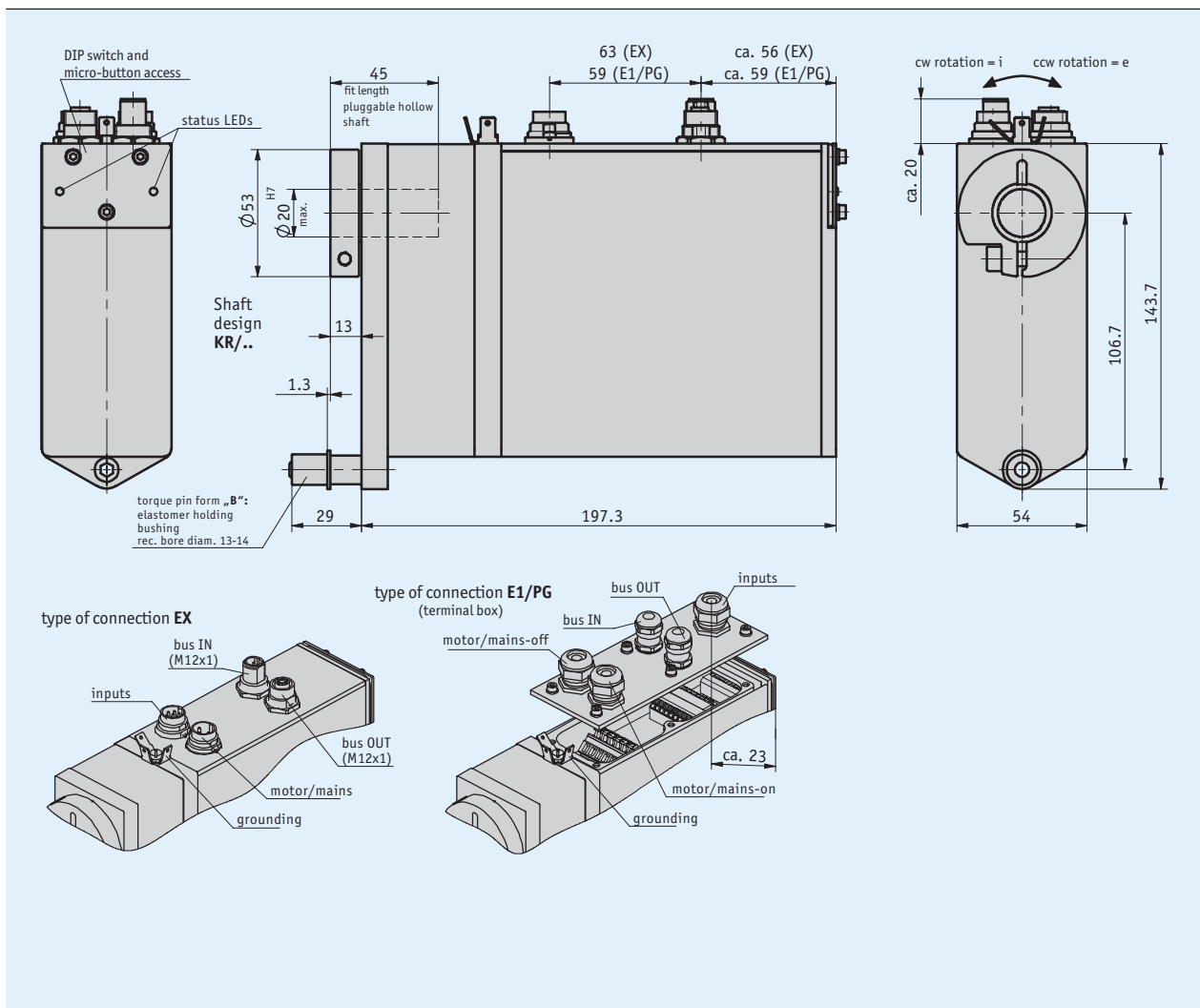


Profile

- Easy mounting
- Stainless steel hollow shafts up to max. \varnothing 20 mm
- "Manual" traveling without control via micro-button
- Brushless 160 W, 24 V DC motor with long service life
- Integrated magnetic absolute position encoder on the output shaft
- Electrical connection via spring terminals or connector
- Integrated positioning controller
- Integrated fieldbus interface
- Integrated spring-operated brake (option)



Mechanical data

Feature	Technical data	Additional information
Shaft	stainless steel	
Housing	aluminum	
Nominal torque/rated speed	6 Nm at 150 rpm ($\pm 10\%$)	i = 30.6 (max. adm. operating point)
	10 Nm at 90 rpm ($\pm 10\%$)	i = 50 (max. adm. operating point)
	14 Nm at 64 rpm ($\pm 10\%$)	i = 70.8 (max. adm. operating point)
Operating mode	S3 intermittent duty: 25 % DC, 10 min.	EN 60034-1
Weight	~3.2 kg	

Electrical data

Feature	Technical data	Additional information
Operating voltage	24 V DC $\pm 10\%$	reverse polarity protected
Power input	~160 W	
Rated current	6 A $\pm 5\%$	
No-load current	350 mA $\pm 20\%$	(with transmission)
Type of connection	5x PG9, terminal strip	0.13 ... 2.5 mm ² or 0.25 ... 1.5 mm ² (E1/PG)
	2x M16 plug connectors	3-pole, 1x pin; 7-pole, 1x pin (EX)
	2x M12 plug connectors (B-coded)	5-pole, 1x pin, 1x socket (EX)
	grounding via flat connector 6.3 mm	

System data

Feature	Technical data	Additional information
Resolution	1024 increment(s)	singleturn / 10 bit
Travel range	254 revolution(s)	8 bit multiturn (rounded)
	4094 revolution(s)	12 bit multiturn (rounded)

Ambient conditions

Feature	Technical data	Additional information
Ambient temperature	0 ... 45 °C	
Storage temperature	-20 ... 80 °C	
Relative humidity		condensation inadmissible
EMC	EN 61800-3, second environment	interference resistance / immission
	EN 61800-3, C3	%Störaussendung / Emission%
Protection category	IP50 / IP54 / IP65	EN 60529, mating connectors mounted
Shock resistance	500 m/s ² , 11 ms	EN 60068-2-27
Vibration resistance	100 m/s ² , 50 Hz	EN 60068-2-6

Pin assignment

■ Motor/voltage supply

Signal	EX	E1 (terminal)
+Ub	1	X1.1 X1.2
Enable	2	X3.5
GND	3	X1.3 X1.4
Screen		X1.5 X1.6

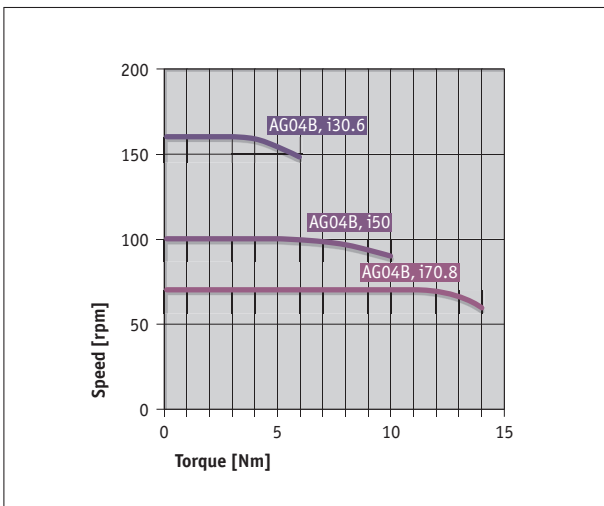
■ Fieldbus

Signal	EX	E1 (terminal)
BUS A	2	X2.2, X2.9
BUS B	4	X2.1, X2.10
Do not connect!	1, 3, 5	X2.3, X2.4, X2.5, X2.6, X2.7, X2.8

■ Inputs

Signal	EX	E1 (terminal)
Limit switch 1	1	X3.1
Limit switch 2	2	X3.2
Input 1	3	X3.3
Input 2	4	X3.4
N.C.	5-7	
Enable		X3.5
EXT_GND		X3.6
GND		X3.7

Performance curve



Order

Ordering table

Feature	Ordering data	Specification	Additional information
Gear ratio	70.8	i = 70.8	
	50	i = 50.0	
	30.6	i = 30.6	
		others on request	
Motor/brake	160W/MB	160 W EC motor with brake	
	160W/OB	160 W EC motor without brake	
Protection category	IP50	IP50	
	IP54	IP54	
	IP65	IP65	
Shaft design/diameter	KR/20	clamping ring ø20 mm	
	KR/14	clamping ring ø14 mm	
		others on request	
Type of connection	EX	industrial connector	without mains outlet
	E1/PG	terminal box	with mains outlet
Number of revolutions	254	8 Bit (rounded)	254 revolutions
	4094	12 Bit (rounded)	4094 revolutions

Order key



Scope of delivery: AG04B Fieldbus, Mounting instructions, Documentation on CD

Accessories:

Cable extension KV03S1

Cable extension KV07S0

Programming software ProTool DL

Mating Connector Overview

Mating connector, encoder/digital inputs, 7-pole, socket

Mating connector, encoder/digital inputs, 7-pole, angle socket

Mating connector, motor/voltage supply, 3-pole, socket

Mating connector, motor/voltage supply, 3-pole, socket

Mating connector, Profibus IN, 5-pole, socket

Mating connector, Profibus IN, 5-pole, angle socket

Mating connector, Profibus OUT, 5-pole, pin

Mating connector, Profibus OUT, 5-pole, angular pin

www.siko-global.com

www.siko-global.com

www.siko-global.com

www.siko-global.com

Order key 76141

Order key 78088

Order key 85057

Order key 85057

Order key 83991

Order key 82804

Order key 83992

Order key 82805