

KEL-U 24

Cable entry frames



V2A anti-corrosive
KEL-U also available with V2A screws.



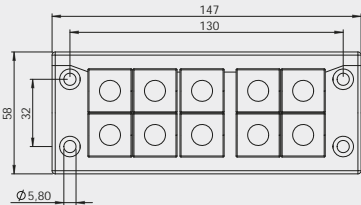
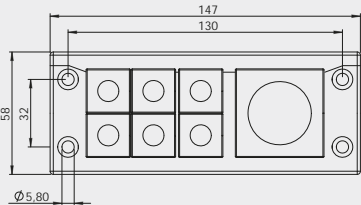
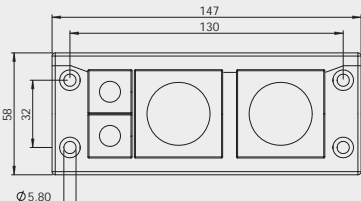
KEL-U on request also available with threaded bushings.



Split inserts



Type	Order No.	Inserts KT small large	PU	Description
------	-----------	-----------------------------	----	-------------

KEL-U 24 10	54241	10 -	10	
KEL-U 24 10 with V2A screws	54241.200	10 -	10	
KEL-U 24 7	54247	6 1	10	
KEL-U 24 7 with V2A screws	54247.200	6 1	10	
KEL-U 24 4	54244	2 2	10	
KEL-U 24 4 with V2A screws	54244.200	2 2	10	

Product description

Split cable entry system for routing pre-terminated cables providing a protection class of IP54. Routing, sealing and providing strain relief for cable diameters from 2 to 34 mm. The new cable entry system is easy to install. Cable inserts are placed into compartments and are securely fixed to the frame during assembly. The KEL-U 24 frame matches exactly the cut-out dimensions for 24-pole standard industrial connectors. Either a cut-out of 36 mm or 46 mm in height can be chosen depending on the cables being routed.

Advantages

- Very easy assembly
- Warranty on pre-terminated cables remains
- Retrofitting and maintenance can be carried out easily and quickly
- High packing density, wide variety of frames and inserts
- Strain relief according to EN 50262 / 62444
- High stability, vibration proof

Specification

Material	Polyamide (PA)
Flame class	UL94-Vo, self-extinguishing
Protection class	IP54, with gasket and correct selection of cable inserts
Temperature	- 40°C to + 140°C (static)
Properties	Halogen free, silicone free
Cut-out dimensions	36 x 112 mm / page 158 - 159
Height KEL	17 mm

Accessories

KT Cable inserts	Page 30 - 34
KEL-SNAP Mounting frames	Page 22 - 23
KEL-EMC Cable collectors	Page 108 - 109
KDR Base plates	Page 126 - 131
FP Flanged plates	Page 132 - 137
MP Module plates	Page 138

KEL-U 16

Cable entry frames



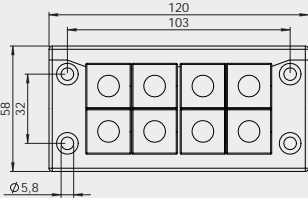
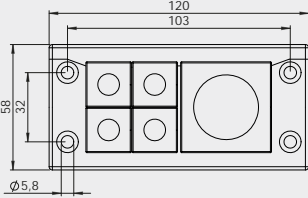
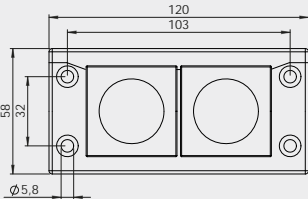
KEL-U also available with V2A screws.



KEL-U on request also available with threaded bushings.



Type	Order No.	Inserts KT small large	PU	Description
------	-----------	-----------------------------	----	-------------

KEL-U 16 8	54168	8 -	10	
KEL-U 16 8 with V2A screws	54168.200	8 -	10	
KEL-U 16 5	54165	4 1	10	
KEL-U 16 5 with V2A screws	54165.200	4 1	10	
KEL-U 16 2	54162	- 2	10	
KEL-U 16 2 with V2A screws	54162.200	- 2	10	

Product description

Split cable entry system for routing pre-terminated cables providing a protection class of IP54. Routing, sealing and providing strain relief for cable diameters from 2 to 34 mm. The new cable entry system is easy to install. Cable inserts are placed into compartments and are securely fixed to the frame during assembly. The KEL-U 16 frame matches exactly the cut-out dimensions for 16-pole standard industrial connectors. Either a cut-out of 36 mm or 46 mm in height can be chosen depending on the cables being routed.

Advantages

- Very easy assembly
- Warranty on pre-terminated cables remains
- Retrofitting and maintenance can be carried out easily and quickly
- High packing density, wide variety of frames and inserts
- Strain relief according to EN 50262 / 62444
- High stability, vibration proof

Specification

Material	Polyamide (PA)
Flame class	UL94-Vo, self-extinguishing
Protection class	IP54, with gasket and correct selection of cable inserts
Temperature	- 40°C to + 140°C (static)
Properties	Halogen free, silicone free
Cut-out dimensions	36 × 86 mm / Page 158 - 159
Height KEL	17 mm

Accessories

KT Cable inserts	Page 30 - 34
KEL-SNAP Mounting frames	Page 22 - 23
KEL-EMC Cable collectors	Page 108 - 110
KDR Base plates	Page 126 - 131
FP Flanged plates	Page 132 - 137

KEL-U 10

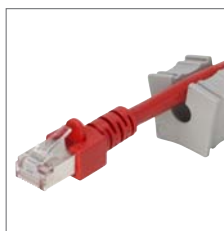
Cable entry frames



V2A anti-corrosive
KEL-U also available with V2A screws.



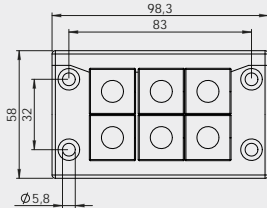
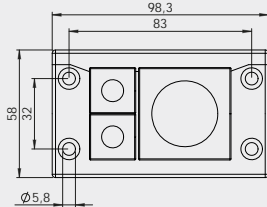
KEL-U on request also available with threaded bushings.



Split inserts



Type	Order No.	Inserts KT small large	PU	Description
------	-----------	-----------------------------	----	-------------

KEL-U 10 6	54216	6 -	10	
KEL-U 10 6 with V2A screws	54216.200	6 -	10	
KEL-U 10 3	54212	2 1	10	
KEL-U 10 3 with V2A screws	54212.200	2 1	10	

Product description

Split cable entry system for routing pre-terminated cables providing a protection class of IP54. Routing, sealing and providing strain relief for cable diameters from 2 to 34 mm. The new cable entry system is easy to install. Cable inserts are placed into compartments and are securely fixed to the frame during assembly. The KEL-U 10 frame matches exactly the cut-out dimensions for 10-pole standard industrial connectors. Either a cut-out of 36 mm or 46 mm in height can be chosen depending on the cables being routed.

Advantages

- Very easy assembly
- Warranty on pre-terminated cables remains
- Retrofitting and maintenance can be carried out easily and quickly
- High packing density, wide variety of frames and inserts
- Strain relief according to EN 50262 / 62444
- High stability, vibration proof

Specification

Material	Polyamide (PA)
Flame class	UL94-Vo, self-extinguishing
Protection class	IP54, with gasket and correct selection of cable inserts
Temperature	- 40°C to + 140°C (static)
Properties	Halogen free, silicone free
Cut-out dimensions	36 × 65 mm / Page 158 - 159
Height KEL	17 mm

Accessories

KT Cable inserts	Page 30 - 34
KEL-SNAP Mounting frames	Page 22 - 23
KEL-EMC Cable collectors	Page 108 - 110

KEL-U-B

Cable entry frames



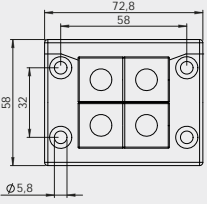
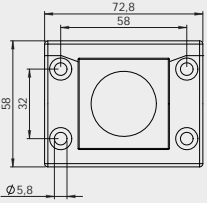
V2A anti-corrosive
KEL-U also available with V2A screws.



KEL-U on request also available with threaded bushings.



Type	Order No.	Inserts KT small large	PU	Description
------	-----------	-----------------------------	----	-------------

KEL-U-B4	54204	4 -	10	
KEL-U-B4 with V2A screws	54204.200	4 -	10	
KEL-U-B1	54206	- 1	10	
KEL-U-B1 with V2A screws	54206.200	- 1	10	

Product description

Split cable entry system for routing pre-terminated cables providing a protection class of IP54. Routing, sealing and providing strain relief for cable diameters from 2 to 34 mm. The new cable entry system is easy to install. Cable inserts are placed into compartments and are securely fixed to the frame during assembly. The KEL-U-B frame matches exactly the cut-out dimensions of 46 × 46 mm measuring instruments.

Advantages

- Very easy assembly
- Warranty on pre-terminated cables remains
- Retrofitting and maintenance can be carried out easily and quickly
- High packing density, wide variety of frames and inserts
- Strain relief according to EN 50262 / 62444
- High stability, vibration proof

Specification

Material	Polyamide (PA)
Flame class	UL94-Vo, self-extinguishing
Protection class	IP54, with gasket and correct selection of cable inserts
Temperature	- 40°C to + 140°C (static)
Properties	Halogen free, silicone free
Cut-out dimensions	46 × 46 mm / Page 158 - 159
Height KEL	17 mm

Accessories

KT Cable inserts	Page 30 - 34
KEL-SNAP Mounting frames	Page 22 - 23
KEL-EMC Cable collectors	Page 108 - 110
FP Flanged plates	Page 132 - 137